

Devanshi

VT26+ Fuzzy Enhanced PID Controller



FEATURES

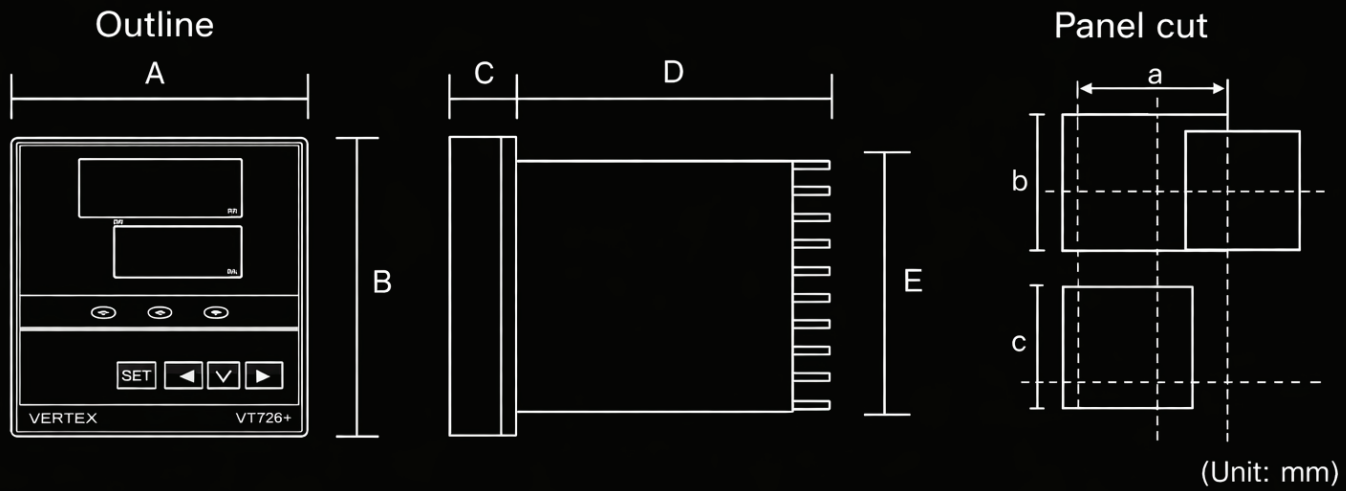
- T/C, RTD, Linear Input selection.
- Fuzzy enhanced PID Control.
- Auto / Manual Bumpless Transfer.
- Two alarm output.
- Standby and Latch mode can be combined with 8 different alarm functions
- Protect the heating element from excess current during initial power-up.

OPTIONAL

- Output 2 for cooling control.
- PV or SV Retransmission.
- RS-485 communication.(MODBUS RTU)
Power supply : DC 24V

SPECIFICATIONS		INPUT	
Input	Thermocouple: J. K. T. E. B. R. S. N.C	Type	Temperature Range
	RTD: DIN PT-100; JIS PT-100	J	-50°C ~ 1000°C -58°F ~ 1832°F
Accuracy	Linear: 4~20mA; 0~50mV; 1~5V; 0~10V...	K	-50°C ~ 1370°C -58°F ~ 2498°F
	T/C±1°C; RTD±0.2°C; Linear±3μV	T	-270°C ~ 400°C -454°F ~ 752°F
Sampling Time	0.1 sec	E	-50°C ~ 750°C -58°F~1382°F
	Proportional Band: 0.0~300.0% F.S	B	0°C ~ 1800°C 32°F~ 3272°F
Control	Integral Time: 0~3600 sec	R	0°C ~ 1750°C 32°F~ 3182°F
	Derivative Time : 0~900 sec	S	0°C ~ 1750°C 32°F~ 3182°F
	Hysteresis: 0.0~200.0 or 0~2000	N	-50°C ~ 1300°C -58°F~ 2372°F
	Cycle Time: 0~100 sec	C	-50°C ~ 1800°C -58°F~ 3272°F
Output Cycle Time	Relay 15 sec	DPT	-200°C ~ 850°C -328°F~ 1652°F
	Pulsed Voltage to Drive SSR: 1sec	JPT	-200°C ~ 650°C -328°F~ 1202°F
	Continuous Current (Voltage): 0 sec	LINE	-1999 ~ 9999
Output	Relay Contact Output: 10A/240 VAC (Resistive load)	ALARM FUNCTIONS	
	Pulsed Voltage Output to Drive SSR: DC 0/24V (Resistive 250Ωmin.)	PV High Alarm	PV Low Alarm
	Current Output: 4~20mA (Resistive 600Ωmax.)	Deviation High Alarm	Deviation Low Alarm
	Continuous Voltage Output: 0~50mV; 1~5V; 0~10V..... (Resistive 600Ωmin.)	Band High Alarm	Band Low Alarm
	Rated Voltage: 100~240VAC 50/60Hz; DC 24V	PV High Alarm with Delay Time	PV Low Alarm with Delay Time
	Ambient Temperature: 0~50°C		
General	Ambient Humidity: 0~90 %		
	Consumption: Less than 5VA		

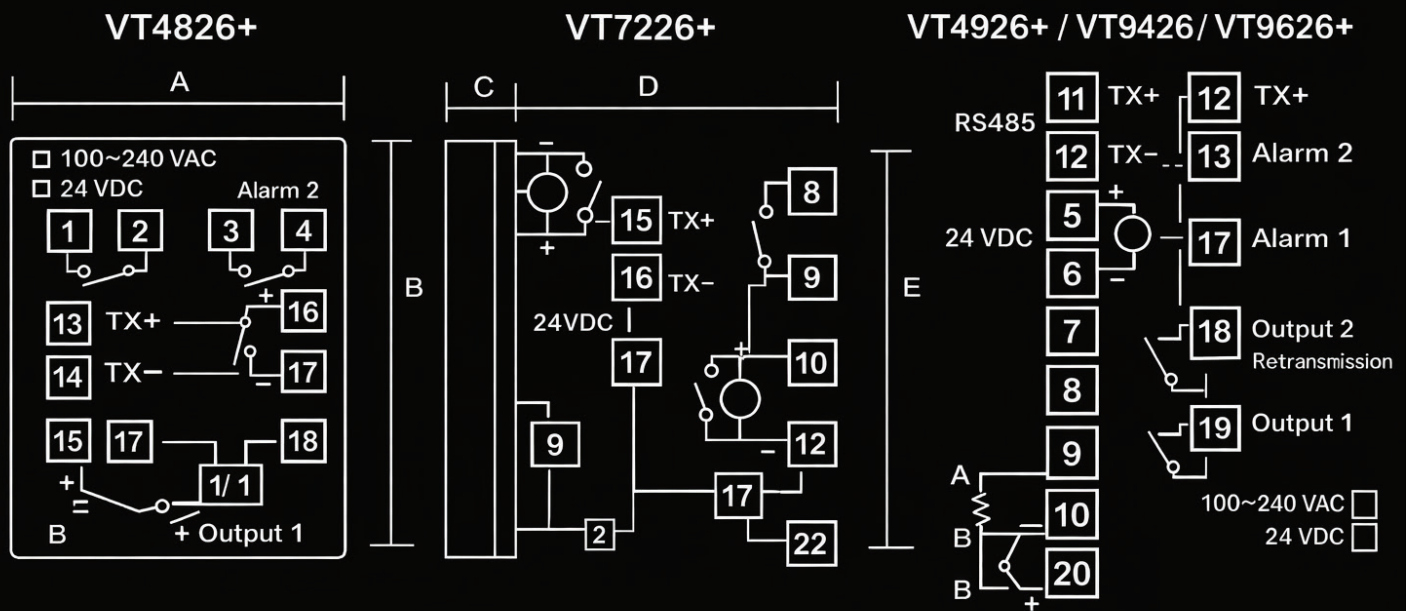
DIMENSIONS



Panel Cutout

Model	A	B	C	D	E	a	b	c	d
VT-4826+	48	48	6	100	45	45 ^{+0.5}	45 ^{+0.5}	60	48
VT-7226+	72	72	9	80	67	68 ^{+0.5}	68 ^{+0.5}	90	72
VT-4926+	48	96	9	80	91	45 ^{+0.5}	92 ^{+0.5}	120	48
VT-9426+	96	48	9	80	45	92 ^{+0.5}	45 ^{+0.5}	48	120
VT-9626+	96	96	10	80	91	92 ^{+0.5}	92 ^{+0.5}	120	96

WIRING DIAGRAM



Ordering Information

Size	Code	Input	Code	Output 1 (Heating)	Code	Output 2 (Cooling)	Code	Selection	Code	Selection	Code
48mmx48mm	48	T/C	A					None	N	90~250VAC	A
72mmx72mm	72	PT100(RTD)	R	Relay	R	None	N	RS-485	C	50/60 Hz	
48mmx96mm	49	0-60mV DC	A	SSR	P	Relay	R	Retransmission	R	DC 24V	D
96mmx48mm	94	0-10V	R	4~20mA DC	M	SSR	P				
96mmx96mm	96	0-24mA	A	Continuous Voltage	V	4~20mA DC	M				
						Continuous Voltage	V				

Note 1: If input code "L" is selected, please specify the input Signal and scale, for example: 4~20mA, 0.0~100.0

Note 2: If output code "O" is selected, please specify the output Signal, for example: 1~5V



VT-9626+



VT-9426+



VT-7226+



VT-4926+



VT-4826+

Devanshi

Head Office:

Plot No. R-880, Near Golden Garage, TTC Industrial Estate, Rabale, Dist. Thane - 400 701, Maharashtra, INDIA
Ph.: +91-86524 15111, +91-86524 29111
Email: bombay@devanshi.com / sales@devanshi.com / sales1@devanshi.com

For Export Inquires: exports@devanshi.com

Baroda

F1/103, Kashivishweshwar Township, Tower 2A, Jetalpur Road, Baroda - 390007, Gujarat, INDIA
Ph.: +91-265-2354782, +91-98240 15114
Email: baroda@devanshi.com

Delhi

F-51, First Floor, Above Dr. Handa Clinic, I.P. Extension, 9th Avenue, Near Madhu Vihar Gurudwara, Delhi - 110092
Ph.: +91-11-49858461, +91-98102 70470
Email: amitkhandelwal2000@yahoo.com

Registered Office:

F-40, Nanddham Ind. Est., Marol Maroshi Road, Andheri (E), Mumbai-400 059. INDIA
CIN-4832109MH1990PTC055500

Bengaluru

SS Solutions, Shop No. 4, 1 Floor, LVR Complex, Near Guest line bus stop, Sy. No. 41, Balagarnahalli, Opposite Attibelle Indl. Area, Hosur Main Road, Bangalore - 562107
Ph.: +91-93414 05502
Email: bangalore@devanshi.com

Pune

108, Gulmohar Centre Point, Off Nagar Road, Opp. Viman Nagar, Pune - 411014.
Ph.: +91-20-40041042, +91-93701 51566
Email: pune@devanshi.com

Pune Factory:

Sh-79, MIDC Industrial Estate Phase 2, Vasuli, Chakan, Pune - 410501.
Mob.: +91-90220 67565
Email: rajat@devanshi.com

Daman

7-B, 1st Floor, Mahavir Indl. Estate, Kachigam Road, Nr. Gaurav Containers, Somnath, Dabhel, Nani Daman - 396210, U.T.
Ph.: +91-93759 62832, +91-97025 77779



WEBSITE



BROCHURES